

IFSYS-8004 USB Serial-IR Adapter

Product Brief

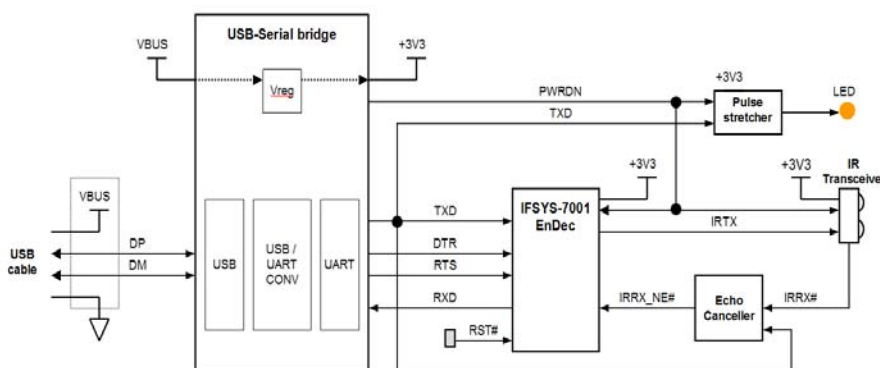
The IFSYS-8004 USB Serial-IR Adapter is intended for applications which need to transfer raw serial data wirelessly over a serial infrared link. It is ideal for OEMs, and equipment designers who do not wish to make significant changes to their legacy serial software, but who now require a wireless means of transferring data. IFSYS-8004 comes with a USB driver that appears as a virtual serial port in the host system, allowing existing legacy serial applications to work with little or no modification. IFSYS-8004 hardware simply encodes the serial data stream into IrDA™ physical layer infrared pulses for transmission and demodulates incoming infrared pulses into serial UART data. Data between host and adapter is transferred over the USB link. The IFSYS-8004 USB Serial-IR Adapter allows equipment designers to work with raw serial data without having to worry about the intricacies of a higher level protocol.



Key features

- Converts “raw” serial data to infrared.
- Hardware is IrDA™ V1.1 physical layer compliant, with a transmit range of 1m.
- USB low power device. Driver appears as a Microsoft Windows™ virtual COM port.
- Ideal for industrial and medical equipment and instrumentation applications.

IFSYS-8004 Block Architecture



IFSYS-8004 USB Serial-IR Adapter

Product Brief

SPECIFICATIONS

Features

- IrDA™ V1.1 compliant physical layer hardware, 1m transmit range
- Supports SIR communication speeds:
 - 9,600 bps
 - 19,200 bps
 - 57,600 bps
 - 115,200 bps

Operating System support

- Windows XP, XP Professional
- Windows 2000, 2000 Professional
- Windows Vista

Interface

- USB V1.1, compatible with USB V2.0 ports.

Electrical characteristics

- Temperature:
 - Operating: 0°C to +40°C
 - Storage: -20°C to +70°C
- Average current consumption:
 - ~60mA (max.) (transmitting @ 115,200bps)
 - ~350uA (max.) (USB suspend mode).

Regulatory qualifications

- FCC
- CE
- Safety (EN60950)
- Others [*1]

Dimensions

- Casing (excluding cable): 49mm (W) x 63mm (L) x 34mm (H).
- Cable length: 1.5m
- Weight: ~120g

Ordering Information

Order Number	Order Description
IFSYS-8004A:3101	Bulk packed units in box of 120. Without CDs and Warranty cards.

[*1] iFoundry can provide assistance to equipment designer/manufacturer in certifying to other regulatory standards.

IrDA™ is a trademark of the Infrared Data Association.

iFoundry Systems Singapore

Unit 03-20/22
67 Ayer Rajah Crescent
Singapore 139950

For more information:

Email: sales@ifoundrysys.com
Web: www.ifoundrysys.com